



**neu
new**

Ultramini **HARDLINE**

Premiumwerkzeug für die Hartzerspanung



- Hartbearbeitung bis 66 HRC
- optimierte Schneidengeometrie
- spezielles Hartmetallsubstrat
- Hochtechnologie-Beschichtung
- hervorragendes Preis-Leistungsverhältnis



ULTRAMINI

Bohrungsbearbeitung
ab \varnothing 2.0 mm

grooving, boring and profiling
starting at \varnothing 2.0 mm

Ultramini Hardline Typ 050

Audreihen Kopieren

type 050
profiling and copying

Bohrungs- \varnothing ab 2.0 mm
Auskrägung (L1) bis 7x D

bore \varnothing from 2.0 mm
overhang length (L1) up to 7x D

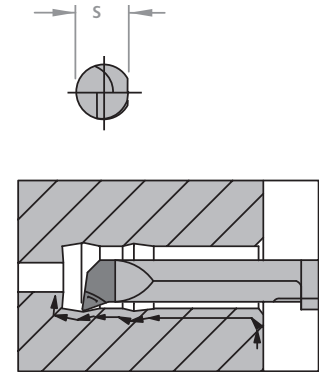
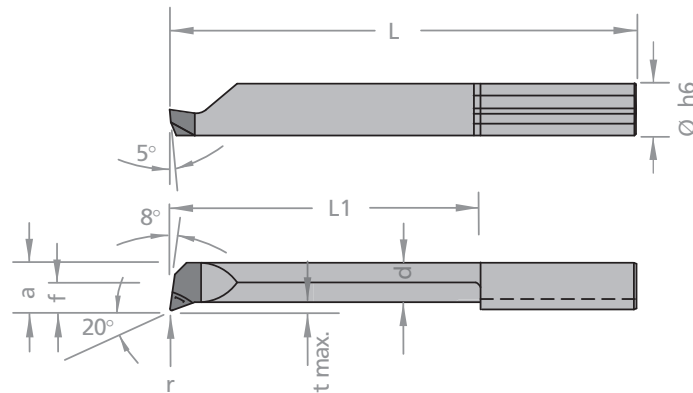


Abbildung: rechtsschneidend
Ausführung rechts (R)
oder links (L) angeben
Abmessungen in mm

righthand version shown
state right (R) or left (L) version
dimensions in mm

Bestellnummer part number	r	s	f	d	a	L	L1	t max.	D min.	Ø h6	passender Klemmhalter Typ (Haupt- katalog ab S. 12)	suitable toolholder type (main catalogue from p. 12)	Preis	
R/L 050.2-5/XC2A-NH	0.05	3.5	-	1.5	1.7	19	5	0.1	2.0	4.0	645		€ 26,60	
R/L 050.2-10/XC2A-NH	0.05	3.5	-	1.5	1.7	24	10	0.1	2.0	4.0			€ 27,10	
R/L 050.2-15/XC2A-NH	0.05	3.5	-	1.5	1.7	29	15	0.1	2.0	4.0			€ 28,15	
R/L 050.3-10/XC2A-NH	0.1	3.5	0.6	2.3	2.6	24	10	0.2	2.8	4.0	645		€ 26,55	
R/L 050.3-16/XC2A-NH	0.1	3.5	0.6	2.3	2.6	30	16	0.2	2.8	4.0			€ 27,65	
R/L 050.3-20/XC2A-NH	0.1	3.5	0.6	2.3	2.6	34	20	0.2	2.8	4.0			€ 31,65	
R/L 050.4-10/XC2A-NH	0.1	3.5	1.5	3.0	3.5	24	10	0.3	4.0	4.0	645		€ 26,55	
R/L 050.4-16/XC2A-NH	0.1	3.5	1.5	3.0	3.5	30	16	0.3	4.0	4.0			€ 27,65	
R/L 050.4-20/XC2A-NH	0.1	3.5	1.5	3.0	3.5	34	20	0.3	4.0	4.0			€ 30,45	
R/L 050.4-24/XC2A-NH	0.1	3.5	1.5	3.0	3.5	38	24	0.3	4.0	4.0			€ 33,05	
R/L 050.4-28/XC2A-NH	0.1	3.5	1.5	3.0	3.5	42	28	0.3	4.0	4.0		€ 35,95		
R/L 050.5-10/XC2A-NH	0.15	4.4	1.9	3.8	4.4	25	10	0.5	5.0	5.0	645		€ 25,75	
R/L 050.5-15/XC2A-NH	0.15	4.4	1.9	3.8	4.4	30	15	0.5	5.0	5.0			€ 26,95	
R/L 050.5-20/XC2A-NH	0.15	4.4	1.9	3.8	4.4	35	20	0.5	5.0	5.0			€ 29,80	
R/L 050.5-25/XC2A-NH	0.15	4.4	1.9	3.8	4.4	40	25	0.5	5.0	5.0			€ 32,75	
R/L 050.5-30/XC2A-NH	0.15	4.4	1.9	3.8	4.4	45	30	0.5	5.0	5.0			€ 35,90	
R/L 050.5-35/XC2A-NH	0.15	4.4	1.9	3.8	4.4	50	35	0.5	5.0	5.0			€ 38,95	
R/L 050.6-15/XC2A-NH	0.15	5.3	2.3	4.5	5.3	30	15	0.5	6.0	6.0		676	660	€ 27,35
R/L 050.6-22/XC2A-NH	0.15	5.3	2.3	4.5	5.3	37	22	0.5	6.0	6.0				
R/L 050.6-25/XC2A-NH	0.15	5.3	2.3	4.5	5.3	40	25	0.5	6.0	6.0				€ 33,15
R/L 050.6-30/XC2A-NH	0.15	5.3	2.3	4.5	5.3	45	30	0.5	6.0	6.0				€ 36,30
R/L 050.6-35/XC2A-NH	0.15	5.3	2.3	4.5	5.3	50	35	0.5	6.0	6.0				€ 39,35
R/L 050.6-42/XC2A-NH	0.15	5.3	2.3	4.5	5.3	57	42	0.5	6.0	6.0		€ 42,95		
R/L 050.7-20/XC2A-NH	0.15	6.3	2.8	5.5	6.3	35	20	0.6	6.8	7.0	676	687	€ 30,55	
R/L 050.7-25/XC2A-NH	0.15	6.3	2.8	5.5	6.3	40	25	0.6	6.8	7.0				€ 33,65
R/L 050.7-30/XC2A-NH	0.15	6.3	2.8	5.5	6.3	45	30	0.6	6.8	7.0				€ 36,90
R/L 050.7-35/XC2A-NH	0.15	6.3	2.8	5.5	6.3	50	35	0.6	6.8	7.0				€ 40,05
R/L 050.7-40/XC2A-NH	0.15	6.3	2.8	5.5	6.3	55	40	0.6	6.8	7.0				€ 43,70
R/L 050.7-45/XC2A-NH	0.15	6.3	2.8	5.5	6.3	60	45	0.6	6.8	7.0				€ 45,75
R/L 050.7-50/XC2A-NH	0.15	6.3	2.8	5.5	6.3	65	50	0.6	6.8	7.0				€ 48,65
														670